

# Aggregate data from the SHR



**Warning:**

This workflow is currently specific to DHIS2 as the HMIS and OpenMRS as the SHR, in future iterations it may change to incorporate a more standard based approach.

## Overview

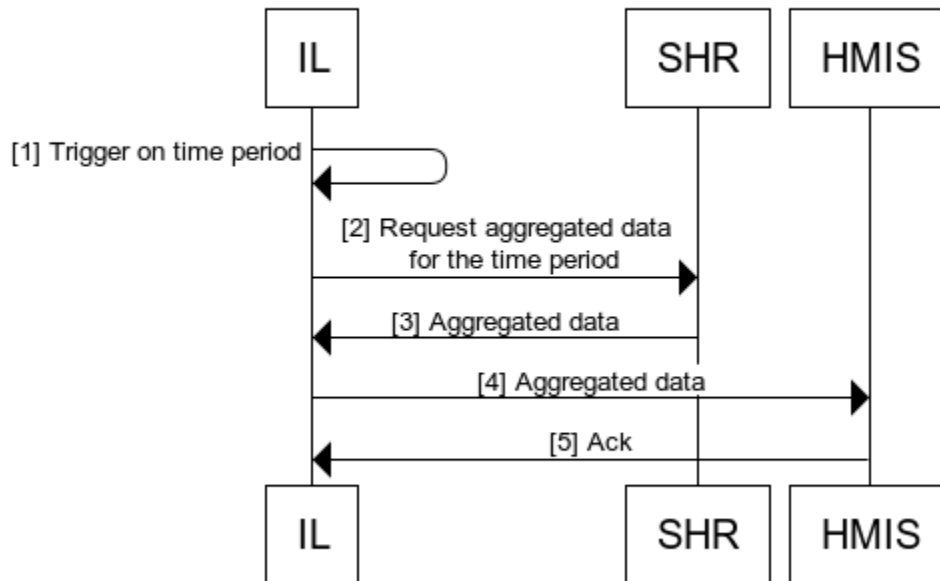
Description: This workflow will enable the Shared Health Record to be able to export aggregate data to the HMIS systems so that it can be used for reporting purposes.

Sponsor: HMIS community? with the SHR community

Status: proposed

Last Modified: 10 Sept 2014

## Aggregate data from the SHR



www.websequencediagrams.com

## Technical details

Ref	Interaction	Endpoint	Data	Transaction Specification
1	Trigger on time period	GET /trigger		
2	Request aggregated data for the time period		SQL	
3	Aggregated data		SQL result set	
4	Aggregated data		DXF API Request	
5	Ack		DXF API response	